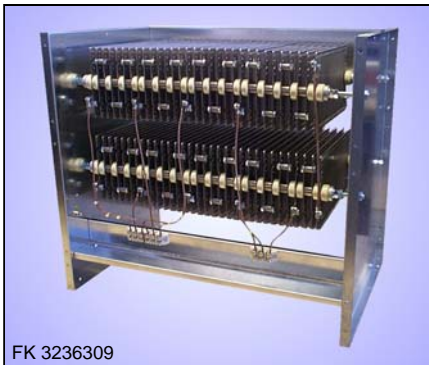




Type series FK 3..

1,5 – 66 kW with up to 40 terminals



Steel-grid fixed resistor unit, degree of protection IP 00 with 2 side-panel end plates out of zinc plated steel sheet. Ceramic isolated flat or bolt terminals of 35 A up to 400 A in variable combinations available.

Ⓜ optional, type designation would be FK.U 3..

Technologies

- for middle and high power ratings
- Up to 40 FK-terminals
- continuous dissipation up to 66 kW
- for floor-level mounting
- optional with temperature switch (TS), type designation would be then FKQ 3...

The necessary terminals are mounted on a terminal strip in the lower part of the device.

You will find suggestions for the dimensioning of the resistor for short time load at chapter Technical Details, pages T613E to T620E.

Application

This construction is especially appropriate for big power ratings that are to be low in weight and in price. The same applies to the installation in closed electrotechnical rooms, where the degree of protection IP 00 is allowed.

Special design

- dimensioning for forced ventilation supplied by the user
- special construction forms for integration into exhaust air ducts for engine radiators

Option

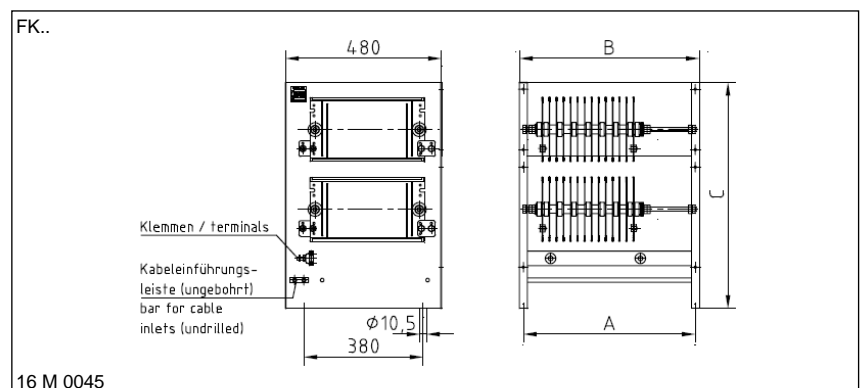
- with temperature switch wired on 2 terminals, type then FKQ...

Electrical and mechanical data

Type FK 3.. without TS, FKQ 3.. with TS	max. typical power in kW at 40°C and 100% DCF	production range Ω-value		max. number of steel-grids corresp. to given type size	dimensions in mm			max. weight in kg
		from	to		A	B	C	
FK. 31114..	7,0	0,31	78	14	370	395	460	19
FK. 31224..	12,0	0,53	134	24	570	595	460	26
FK. 31334..	17,0	0,75	190	34	770	795	460	38
FK. 31444..	22,0	0,97	246	44	970	995	460	45
FK. 32128..	14,0	0,16	156	28	370	395	710	31
FK. 32248..	24,0	0,27	268	48	570	595	710	46
FK. 32368..	34,0	0,38	380	68	770	795	710	70
FK. 32488..	44,0	0,49	492	88	970	995	710	80
FK. 33272..	36,0	0,18	403	72	570	595	960	62
FK. 33302..	51,0	0,25	570	102	770	795	960	87
FK. 33432..	66,0	0,32	739	132	970	995	960	115

This table only represents the maximum number of steel-grids of the specific size of unit and the corresponding maximum typical power. All numbers of steel-grids corresponding to our types between 3 pc. (1,5 kW) und 132 pc. (66 kW) are available. Type code and selection of units see Technical Details pages T613E to T620E.

Type	Max. number of terminals up to					
	FK 35A	BK M6 60A	BK M8 115A	BK M10 170A	BK M10 220A	BK M12 400A
FK. 3.1..	16	10	8	7	7	7
FK. 3.2..	24	16	14	12	12	11
FK. 3.3..	32	23	20	17	17	16
FK. 3.4..	40	30	26	22	22	20



Example of dimensioning and selection of a specific unit:

see Technical Details pages T613E to T620E