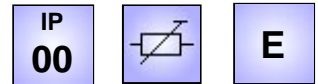
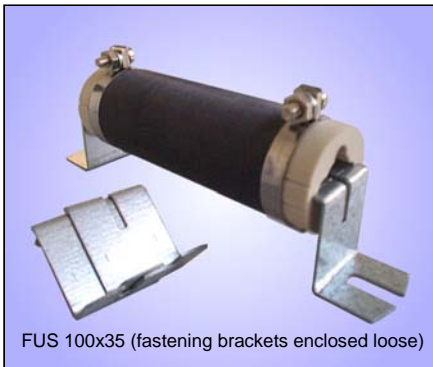




Type series FZS / FUS

12 – 250 W with fastening brackets



Cemented wirewound tubular fixed resistor, degree of protection IP00, with insertable fastening brackets which are enclosed loose, fixing parallel to mounting surface. Connections by screw, fast-on or soldering clips of the resistor*.

*For available connection types and designations please see pages T109E/110E

Technologies

- connections directly at the resistor
- optional with either screw, fast-on or soldering connections
- integration into switch cabinets
- adjustable clips available
- insertable fastening brackets are enclosed loose.

The given power values are valid for 100%DCF (continuous dissipation) at an ambient temperature of max. 40°C and a surface temperature (ST) of 300°C. The values can be increased by the factor 1,3. Then the ST will increase up to approx. 350°C.

The given power values can be essentially increased during short time operation as a function of the duty cycle factor (DCF) The peak power can be easily calculated. Just multiply the values by the corresponding overload factors (OLF) of this table:

DCF	60%	40%	25%	15%	6%
OLF	1,5	2,2	3,2	5,0	9,5

These overload factors are valid for a total cycle time of maximum 120 s.

Application

As ballast, limiting, filter or series resistors etc in switch cabinets or electric devices.

Low price and efficient operation by the easy and quick application of insertable fastening brackets in manufacturing.

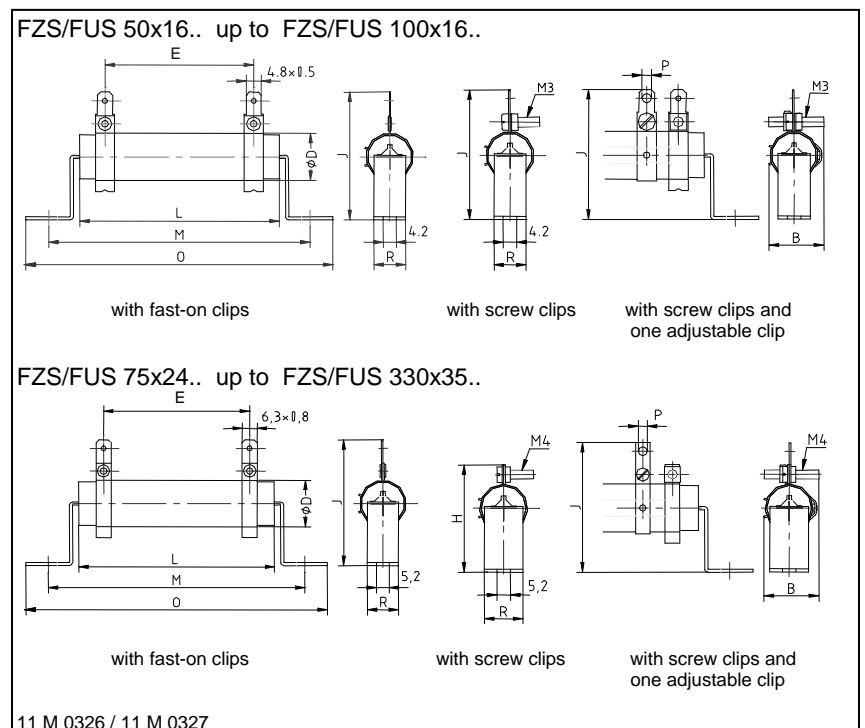
Special design

- from construction size D=24 on with temperature switch (TS) with fast-on connections 6,3 x 0,8

Electrical and mechanical data

Type series	typical power in W at 40°C, 100% DCF and 300°C ST	production range Ω -Wert		dimensions in mm								approx. weight in g	
		from	up to	B	E	H	J	M	O	R	$\varnothing P$		
FZS.. (standard)													
FUS..													
L x D													
F.S 50x16	12	0,27	6,8k	18	34	42	42	70	83	10	3,0	35	
F.S 63x16	18	0,39	10k	18	45	42	42	84	97	10	3,0	40	
F.S 100x16	34	0,68	18k	18	82	42	42	120	133	10	3,0	50	
F.S 75x24	32	0,1	18k	25	55	47	56	95	108	16	4,1	85	
F.S 100x24	44	0,15	27k	25	78	47	56	120	133	16	4,1	110	
F.S 165x24	80	0,33	39k	25	137	47	56	185	198	16	4,1	170	
F.S 265x24	140	0,56	68k	25	237	47	56	285	298	16	4,1	260	
F.S 100x35	65	0,22	22k	38	78	54	63	125	146	25	4,1	160	
F.S 135x35	100	0,33	33k	38	113	54	63	160	181	25	4,1	200	
F.S 200x35	150	0,56	47k	38	172	54	63	225	246	25	4,1	280	
F.S 330x35	250	1,0	82k	38	282	54	63	355	376	25	4,1	440	

For further details concerning the ohmic values please see pages T109E/110E.



Example: Continuous dissipation 140 W, resistance value 390 Ω with 1 adjustable clip, with screw connections

Ordering designation: FZS 265x24 F – 390